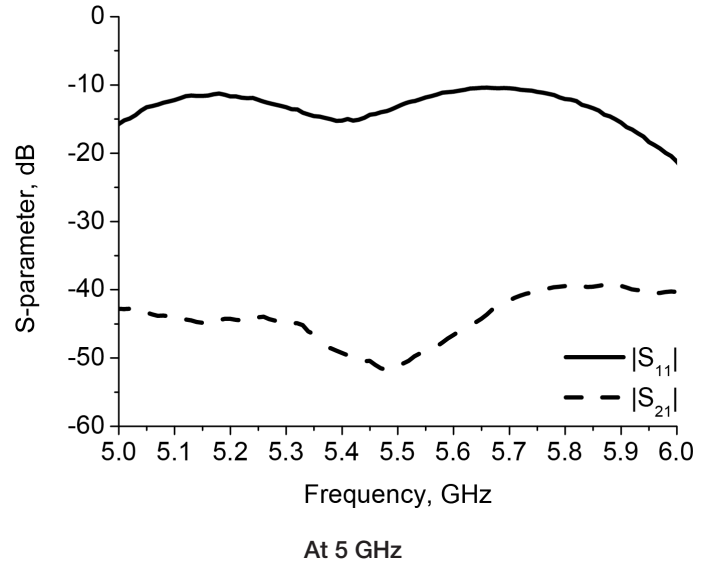
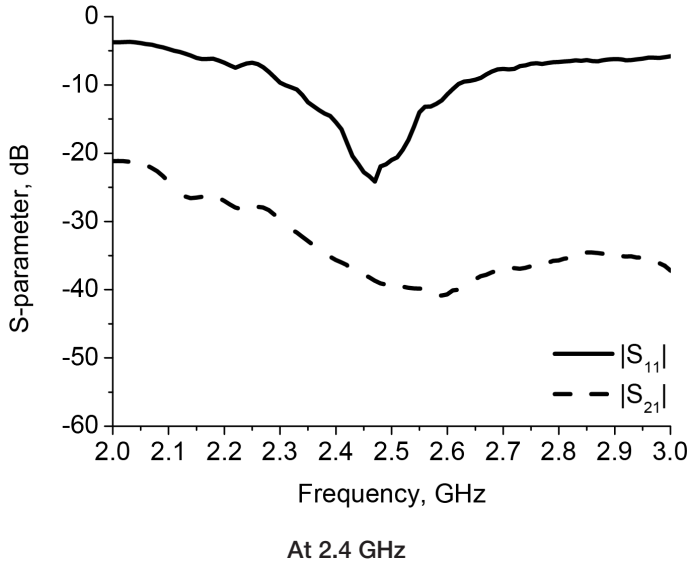




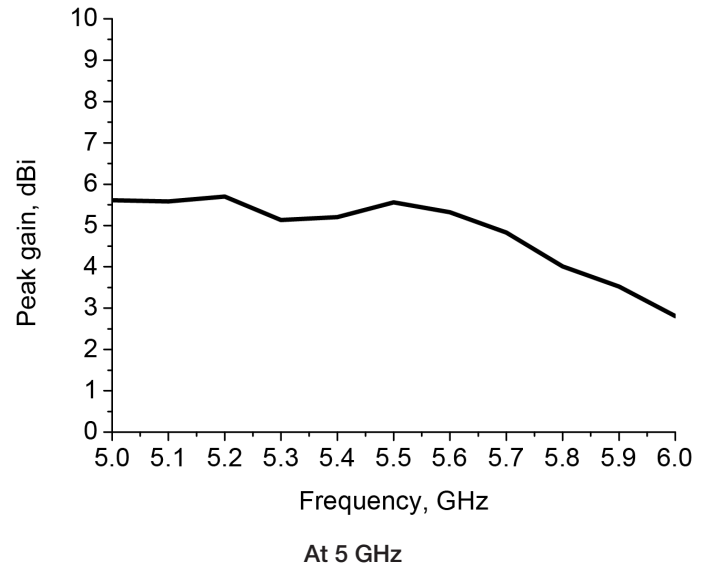
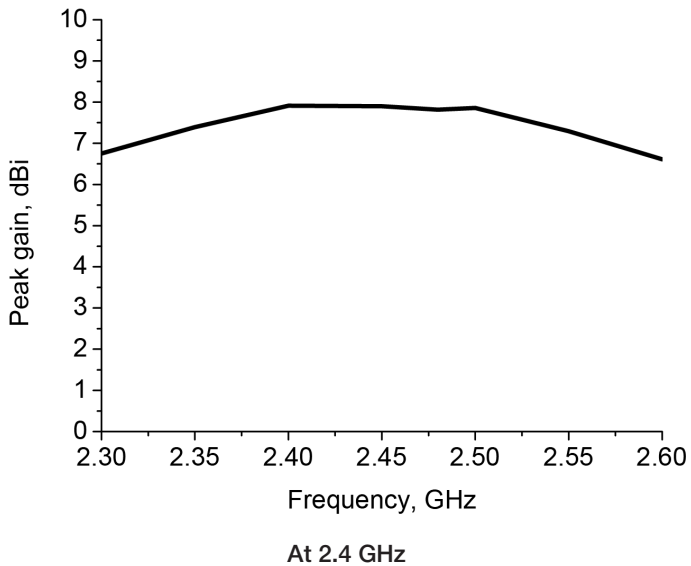
## Antenna S-Parameters

Return Loss and Mutual Coupling of the Two Elements



## Peak Gain

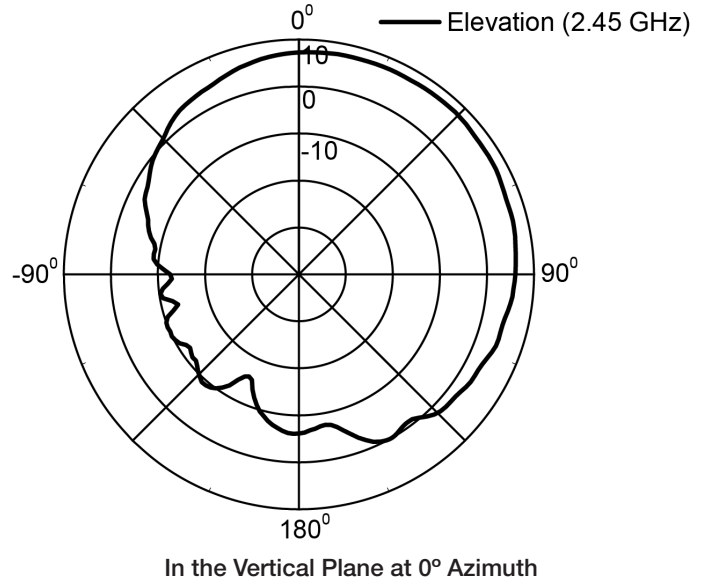
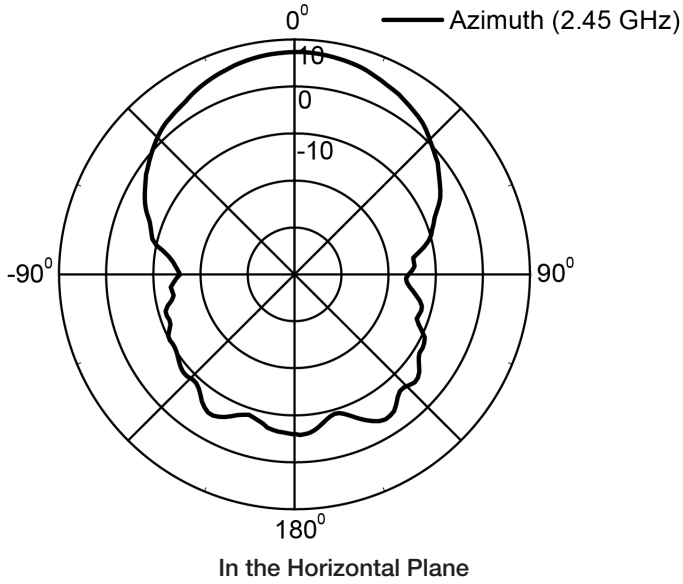
Measured Peak Gain of Each Element



\* Note: The measured peak gain (total field) includes the cable loss. The cable loss is about 0.3dB at 2.4GHz and 0.6dB at 5GHz. The actual gain is higher than shown in the graphs.

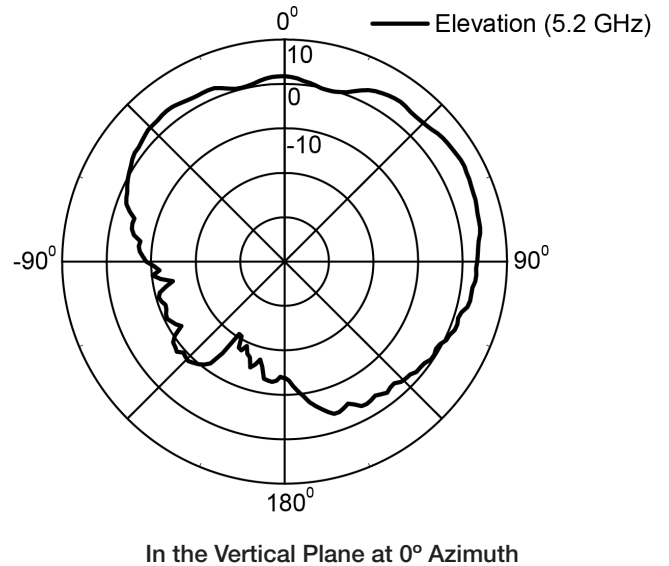
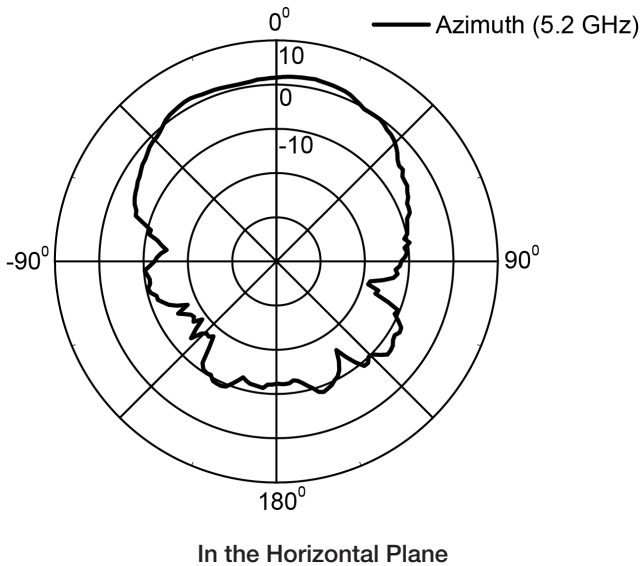
## Gain at 2.4 GHz

Polar Plots of the Gain of Each Element at 2.45 GHz



## Gain at 5 GHz

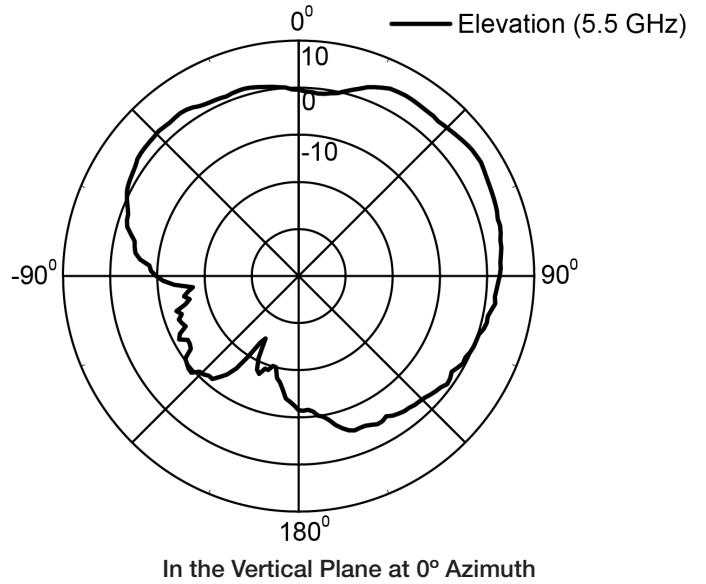
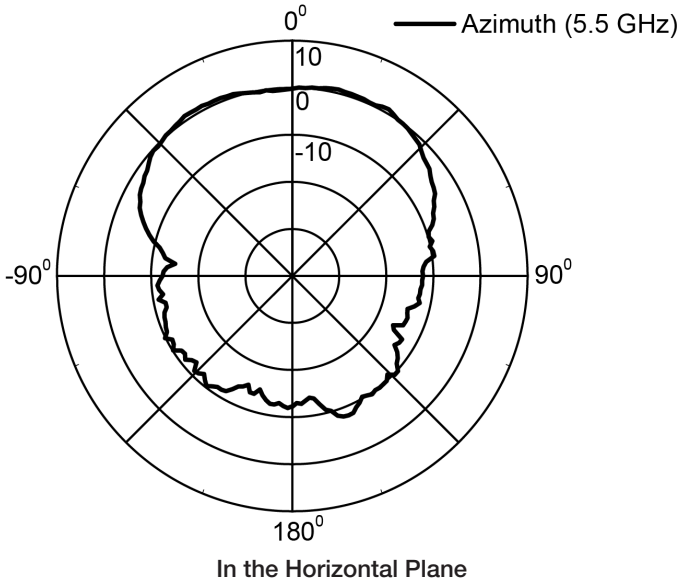
Polar Plots of the Gain of Each Element at 5.2 GHz



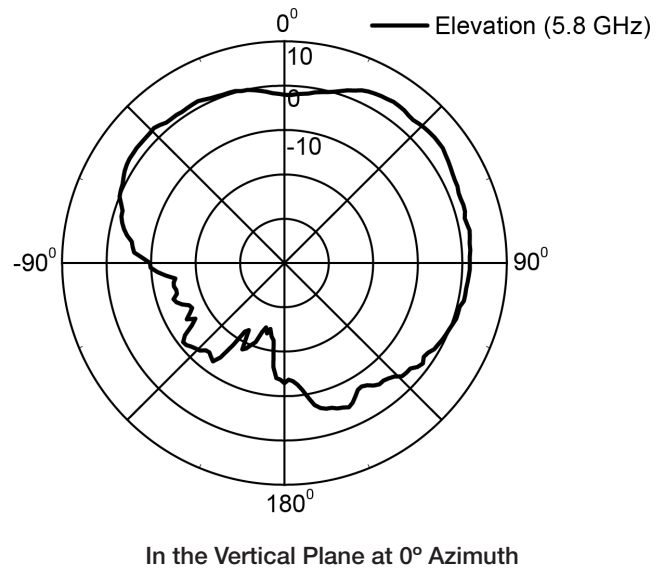
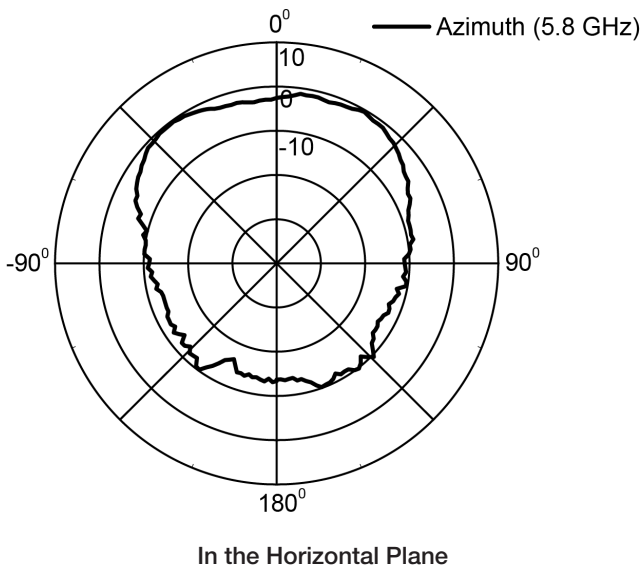
\* Note: The antenna plane is facing upwards. The gain of each element is expected to be highest at about 0° Azimuth and 45° Elevation.

## Gain at 5 GHz

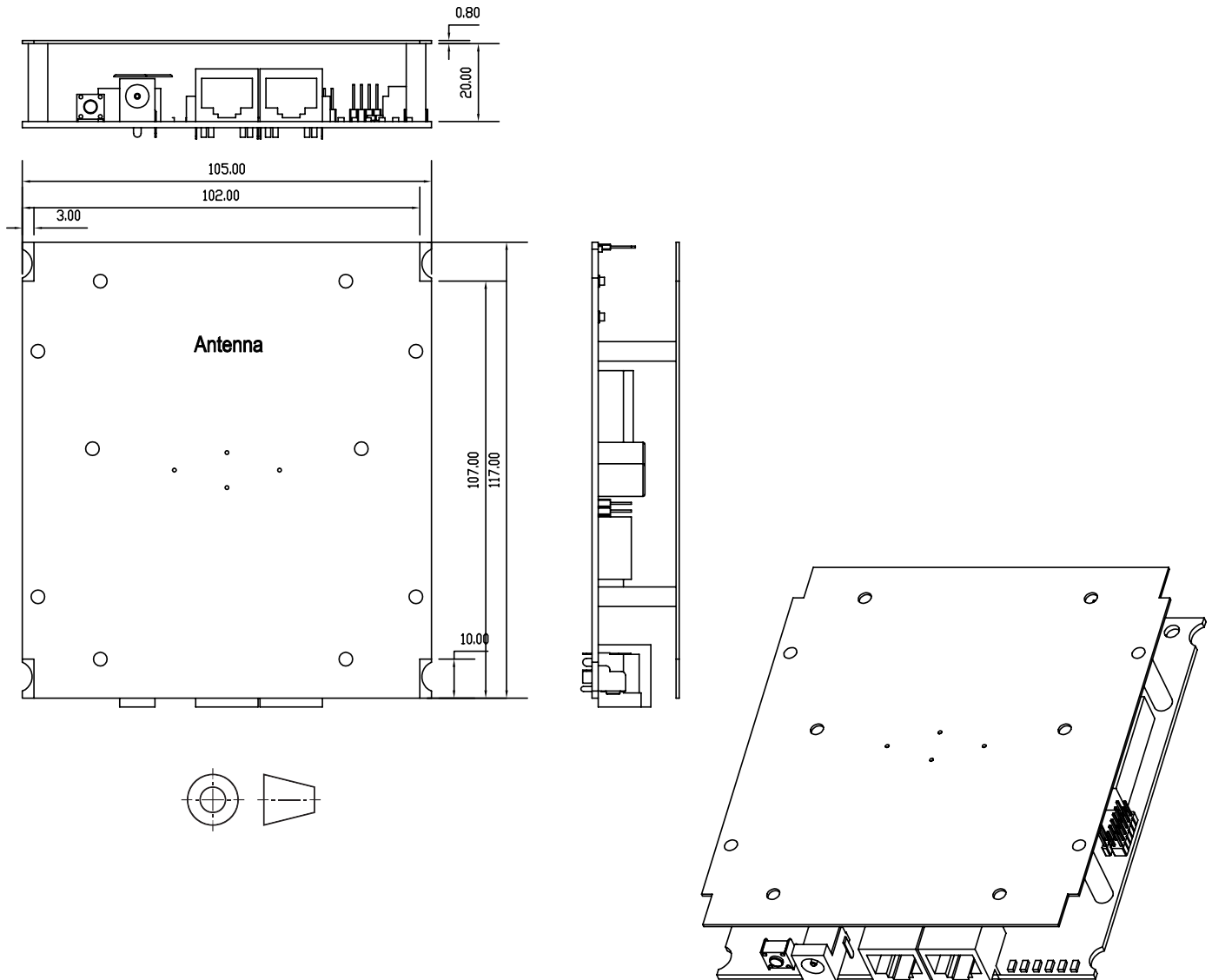
Polar Plots of the Gain of Each Element at 5.5 GHz



Polar Plots of the Gain of Each Element at 5.8 GHz



## Recommended Assembly and Clearance between Antenna and Embedded Board\*



\* The antenna is designed to ride over a host board, which acts as a reflector, as shown in the assembly drawing.