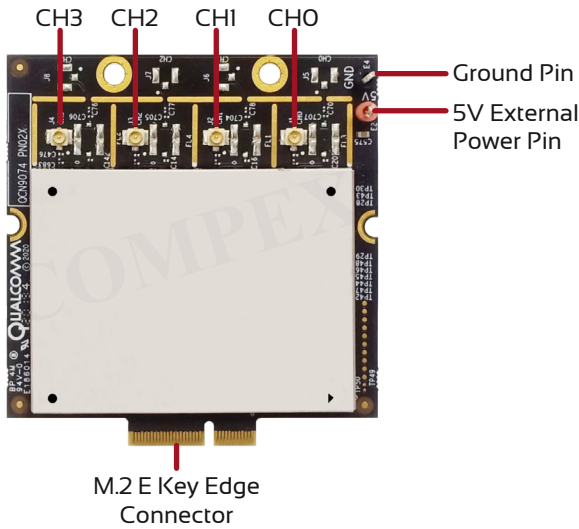


Component Map



Power Requirements

DC Power 5V (Max)

Power Consumption 16W

*For the customer who want to use 5V External Power Pin, please make sure pin 45, 47, 49 and 51 were not connected with your board.

M.2 Slot Pin Assignment

M.2 Slot			
Top side		Bottom side	
1	GND	2	VDD_3V3
3	NC	4	VDD_3V3
5	NC	6	PCIE_LED0(GPIO27)
7	GND	8	NC
9	NC	10	NC
11	NC	12	NC
13	NC	14	NC
15	VDD_5V	16	PCIE_LED1(GPIO35)
17	VDD_5V	18	GND
19	VDD_5V	20	NC
21	VDD_5V	22	NC
23	VDD_5V		
Mechanical key E			
33	GND	32	NC
35	PCIE_RX0_P	34	NC
37	PCIE_RX0_N	36	NC
39	GND	38	NC
41	PCIE_TX0_P	40	NC
43	PCIE_TX0_N	42	NC
45	GND	44	PTA1_BT_PRI0
47	PCIE_REFCLK_P	46	PTA1_WL_ACT
49	PCIE_REFCLK_N	48	PTA1_BT_ACT
51	GND	50	NC
53	PCIE_CLKREQ_N	52	PCIE_RST_N
55	PCIE_WAKE_N	54	NC
57	GND	56	NC
59	PCIE_RX1_P	58	NC
61	PCIE_RX1_N	60	NC
63	GND	62	NC
65	PCIE_TX1_P	64	NC
67	PCIE_TX1_N	66	NC
69	GND	68	NC
71	NC	70	NC
73	NC	72	VDD_3V3
75	GND	74	VDD_3V3