

## Dual Band 2.4/5GHz 3x3 802.11ac Wave 1 MiniPCle WiFi Module Designed for Dual Band High Speed Wireless Access Points

**Model: WLE900VX-I (85C)**



### KEY FEATURES

- Qualcomm Atheros QCA9890
- 2.4GHz, 3x3 MIMO OFDM Technology, up to 600Mbps physical data rate
- 5GHz, 3x3 MIMO OFDM Technology, up to 1300Mbps physical data rate
- Dual Band 2.4/5GHz 3x3 WiFi 5 (802.11ac Wave 1)
- MiniPCle interface with PCIe 1.1
- IEEE 802.11ac compliant & backward compatible with 802.11a/b/g/n
- Supports Spatial Multiplexing, Cyclic-Delay Diversity (CDD), Low-Density Parity Check (LDPC) Codes, Maximal Ratio Combining (MRC), Space Time Block Code (STBC)
- Supports IEEE 802.11d, e, h, i, j, k, r, v time stamp, and w standards
- Supports Dynamic Frequency Selection (DFS)
- Cards are individually calibrated for Quality Assurance
- Supports 4.9GHz operation

## Specifications

Chipset	Qualcomm Atheros QCA9890 'Peregrine' Series
Reference Design	Qualcomm Atheros XB140
Host Interface	MiniPCle interface with PCIe 1.1
Operating Voltage	3.3V
Power Consumption	5W (Max)
Wireless	2.4GHz 802.11b/g/n, max 21dBm per chain 5GHz 802.11a/n/ac, max 18dBm per chain 3x U.FL Connectors
Frequency Range	2.412~2.472GHz, 4.920~5.825GHz, selectable dual band
Modulation Techniques	OFDM: BPSK, QPSK, DBPSK, DQPSK, 16-QAM, 64-QAM, 256-QAM
Channel Spectrum Widths for WLAN	Supports 20/40MHz at 2.4GHz, Supports 20/40/80MHz at 5GHz
ESD Sensitivity	Class 1C
Supported Operating System	Supported by CompexWRT with Qualcomm Atheros reference wireless drivers or OpenWRT/LEDE with ath10k wireless drivers, on WPJ344, WPJ558, WPJ563, WPJ564, WPQ864, and WPQ865.
Certification	FCC, CE Certified, REACH and RoHS Compliance
Environmental Temperature (Industrial Grade)	Operating: -40°C to 85°C, Storage: -40°C to 90°C
Environmental Humidity, Non-Condensing	Operating: 5% to 95%, Storage: Max. 90%
Dimensions (W x H x D) in mm	29.85 x 50.8 x 3.2

\*Configurations are subject to change without notifications.

## RF Performance Table for 2.4GHz

	Data Rate	TX Power (per chain)	TX Power (3 chains)	Tolerance
2.4GHz 802.11b	1 Mbps	20 dBm	25 dBm	± 2 dB
	2 Mbps	20 dBm	25 dBm	± 2 dB
	5.5 Mbps	20 dBm	25 dBm	± 2 dB
	11 Mbps	20 dBm	25 dBm	± 2 dB
2.4GHz 802.11g	6 Mbps	21 dBm	26 dBm	± 2 dB
	9 Mbps	21 dBm	26 dBm	± 2 dB
	12 Mbps	21 dBm	26 dBm	± 2 dB
	18 Mbps	21 dBm	26 dBm	± 2 dB
	24 Mbps	21 dBm	26 dBm	± 2 dB
	36 Mbps	20 dBm	25 dBm	± 2 dB
	48 Mbps	19 dBm	24 dBm	± 2 dB
2.4GHz 802.11n HT20	54 Mbps	18 dBm	23 dBm	± 2 dB
	MCS 0	21 dBm	26 dBm	± 2 dB
	MCS 1	21 dBm	26 dBm	± 2 dB
	MCS 2	21 dBm	26 dBm	± 2 dB
	MCS 3	20 dBm	25 dBm	± 2 dB
	MCS 4	20 dBm	25 dBm	± 2 dB
	MCS 5	20 dBm	25 dBm	± 2 dB
	MCS 6	18 dBm	23 dBm	± 2 dB
2.4GHz 802.11n HT40	MCS 7	16 dBm	21 dBm	± 2 dB
	MCS 0	20 dBm	25 dBm	± 2 dB
	MCS 1	20 dBm	25 dBm	± 2 dB
	MCS 2	20 dBm	25 dBm	± 2 dB
	MCS 3	19 dBm	24 dBm	± 2 dB
	MCS 4	19 dBm	24 dBm	± 2 dB
	MCS 5	19 dBm	24 dBm	± 2 dB
	MCS 6	18 dBm	23 dBm	± 2 dB
MCS 7	16 dBm	21 dBm	± 2 dB	

	Data Rate	RX Specifications Sensitivity	Tolerance
2.4GHz 802.11b	1 Mbps	-95 dBm	± 2 dB
	2 Mbps	-94 dBm	± 2 dB
	5.5 Mbps	-92 dBm	± 2 dB
	11 Mbps	-90 dBm	± 2 dB
2.4GHz 802.11g	6 Mbps	-94 dBm	± 2 dB
	9 Mbps	-93 dBm	± 2 dB
	12 Mbps	-92 dBm	± 2 dB
	18 Mbps	-90 dBm	± 2 dB
	24 Mbps	-88 dBm	± 2 dB
	36 Mbps	-85 dBm	± 2 dB
	48 Mbps	-81 dBm	± 2 dB
2.4GHz 802.11n HT20	54 Mbps	-80 dBm	± 2 dB
	MCS 0	-94 dBm	± 2 dB
	MCS 1	-91 dBm	± 2 dB
	MCS 2	-89 dBm	± 2 dB
	MCS 3	-84 dBm	± 2 dB
	MCS 4	-83 dBm	± 2 dB
	MCS 5	-78 dBm	± 2 dB
	MCS 6	-78 dBm	± 2 dB
2.4GHz 802.11n HT40	MCS 7	-76 dBm	± 2 dB
	MCS 0	-92 dBm	± 2 dB
	MCS 1	-88 dBm	± 2 dB
	MCS 2	-85 dBm	± 2 dB
	MCS 3	-82 dBm	± 2 dB
	MCS 4	-79 dBm	± 2 dB
	MCS 5	-75 dBm	± 2 dB
	MCS 6	-75 dBm	± 2 dB
MCS 7	-73 dBm	± 2 dB	

## RF Performance Table for 5GHz

	Data Rate	TX Power (per chain)	TX Power (3 chains)	Tolerance
5GHz 802.11a	6 Mbps	18 dBm	23 dBm	± 2 dB
	9 Mbps	18 dBm	23 dBm	± 2 dB
	12 Mbps	18 dBm	23 dBm	± 2 dB
	18 Mbps	18 dBm	23 dBm	± 2 dB
	24 Mbps	18 dBm	23 dBm	± 2 dB
	36 Mbps	18 dBm	23 dBm	± 2 dB
	48 Mbps	16 dBm	21 dBm	± 2 dB
	54 Mbps	15 dBm	20 dBm	± 2 dB
5GHz 802.11n/ac VHT20	MCS 0	18 dBm	23 dBm	± 2 dB
	MCS 1	18 dBm	23 dBm	± 2 dB
	MCS 2	18 dBm	23 dBm	± 2 dB
	MCS 3	18 dBm	23 dBm	± 2 dB
	MCS 4	18 dBm	23 dBm	± 2 dB
	MCS 5	17 dBm	22 dBm	± 2 dB
	MCS 6	16 dBm	21 dBm	± 2 dB
	MCS 7	14 dBm	19 dBm	± 2 dB
5GHz 802.11n/ac VHT40	MCS 8	13 dBm	18 dBm	± 2 dB
	MCS 0	18 dBm	23 dBm	± 2 dB
	MCS 1	18 dBm	23 dBm	± 2 dB
	MCS 2	18 dBm	23 dBm	± 2 dB
	MCS 3	17 dBm	22 dBm	± 2 dB
	MCS 4	17 dBm	22 dBm	± 2 dB
	MCS 5	16 dBm	21 dBm	± 2 dB
	MCS 6	15 dBm	20 dBm	± 2 dB
	MCS 7	14 dBm	19 dBm	± 2 dB
	MCS 8	13 dBm	18 dBm	± 2 dB
5GHz 802.11ac VHT80	MCS 9	13 dBm	18 dBm	± 2 dB
	MCS 0	18 dBm	23 dBm	± 2 dB
	MCS 1	18 dBm	23 dBm	± 2 dB
	MCS 2	18 dBm	23 dBm	± 2 dB
	MCS 3	17 dBm	22 dBm	± 2 dB
	MCS 4	17 dBm	22 dBm	± 2 dB
	MCS 5	16 dBm	21 dBm	± 2 dB
	MCS 6	15 dBm	20 dBm	± 2 dB
	MCS 7	14 dBm	19 dBm	± 2 dB
	MCS 8	13 dBm	18 dBm	± 2 dB
MCS 9	13 dBm	18 dBm	± 2 dB	

	Data Rate	RX Specifications Sensitivity	Tolerance
5GHz 802.11a	6 Mbps	-94 dBm	± 2 dB
	9 Mbps	-94 dBm	± 2 dB
	12 Mbps	-92 dBm	± 2 dB
	18 Mbps	-90 dBm	± 2 dB
	24 Mbps	-86 dBm	± 2 dB
	36 Mbps	-84 dBm	± 2 dB
	48 Mbps	-81 dBm	± 2 dB
	54 Mbps	-80 dBm	± 2 dB
5GHz 802.11n/ac VHT20	MCS 0	-93 dBm	± 2 dB
	MCS 1	-90 dBm	± 2 dB
	MCS 2	-87 dBm	± 2 dB
	MCS 3	-83 dBm	± 2 dB
	MCS 4	-80 dBm	± 2 dB
	MCS 5	-77 dBm	± 2 dB
	MCS 6	-74 dBm	± 2 dB
	MCS 7	-73 dBm	± 2 dB
5GHz 802.11n/ac VHT40	MCS 8	-71 dBm	± 2 dB
	MCS 0	-90 dBm	± 2 dB
	MCS 1	-88 dBm	± 2 dB
	MCS 2	-85 dBm	± 2 dB
	MCS 3	-82 dBm	± 2 dB
	MCS 4	-79 dBm	± 2 dB
	MCS 5	-75 dBm	± 2 dB
	MCS 6	-73 dBm	± 2 dB
	MCS 7	-73 dBm	± 2 dB
	MCS 8	-69 dBm	± 2 dB
5GHz 802.11ac VHT80	MCS 9	-67 dBm	± 2 dB
	MCS 0	-88 dBm	± 2 dB
	MCS 1	-86 dBm	± 2 dB
	MCS 2	-84 dBm	± 2 dB
	MCS 3	-81 dBm	± 2 dB
	MCS 4	-77 dBm	± 2 dB
	MCS 5	-74 dBm	± 2 dB
	MCS 6	-73 dBm	± 2 dB
	MCS 7	-70 dBm	± 2 dB
	MCS 8	-67 dBm	± 2 dB
MCS 9	-66 dBm	± 2 dB	

## Component Map

U.FL connectors

CH2

CH1

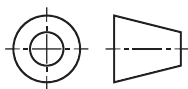
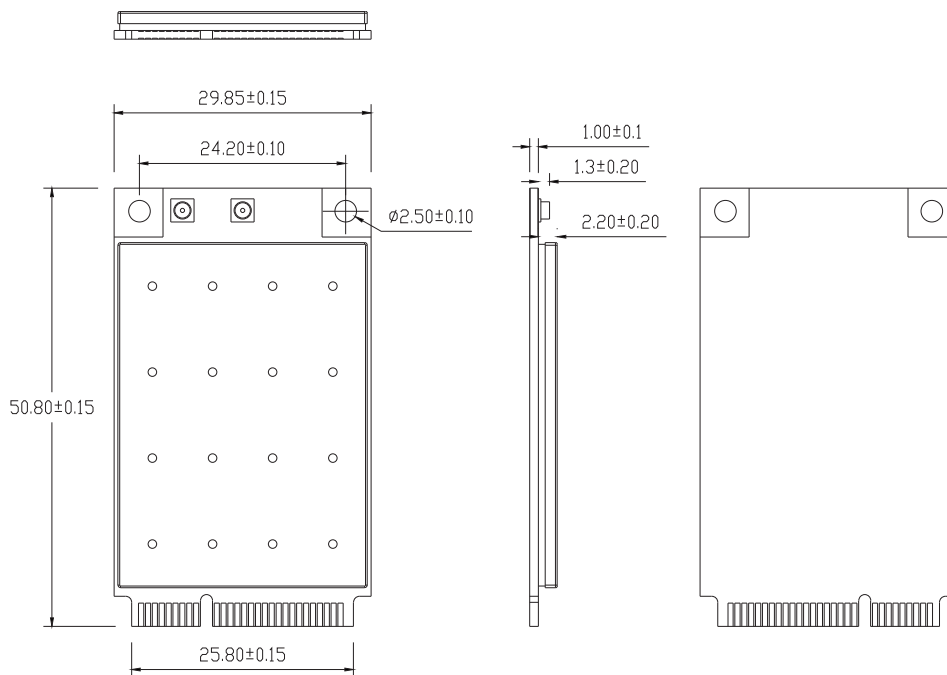
CHO



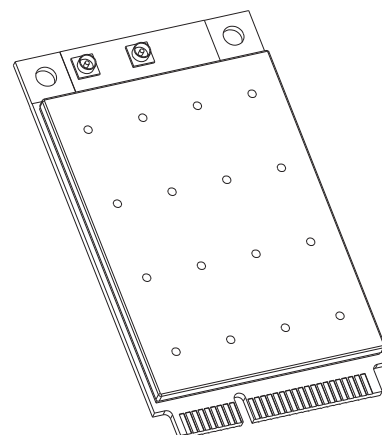
MiniPCIe

edge connector

## Mechanical Dimensions



All dimensions are in mm.



## Ordering Configuration

Item Code	Model	Description
WLE900VX 7CA000S-IE	WLE900VX-I (85C)	Industrial Grade 3x3 802.11 a/b/g/n/ac 2.4GHz/5GHz miniPCIe card