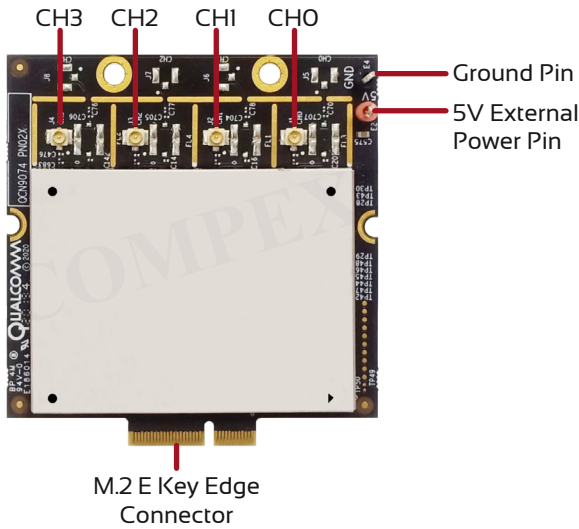


## Component Map



## Power Requirements

DC Power 5V (Max)

Power Consumption 16W

\*For the customer who want to use 5V External Power Pin, please make sure pin 45, 47, 49 and 51 were not connected with your board.

## M.2 Slot Pin Assignment

M.2 Slot			
Top side		Bottom side	
1	GND	2	VDD_3V3
3	NC	4	VDD_3V3
5	NC	6	PCIE_LED0(GPIO27)
7	GND	8	NC
9	NC	10	NC
11	NC	12	NC
13	NC	14	NC
15	VDD_5V	16	PCIE_LED1(GPIO35)
17	VDD_5V	18	GND
19	VDD_5V	20	NC
21	VDD_5V	22	NC
23	VDD_5V		
Mechanical key E			
33	GND	32	NC
35	PCIE0_RX0_P	34	NC
37	PCIE0_RX0_N	36	NC
39	GND	38	NC
41	PCIE0_TX0_P	40	NC
43	PCIE0_TX0_N	42	NC
45	GND	44	PTA1_BT_PRI0
47	PCIE_REFCLK_P	46	PTA1_WL_ACT
49	PCIE_REFCLK_N	48	PTA1_BT_ACT
51	GND	50	NC
53	PCIE0_CLKREQ_N	52	PCIE0_RST_N
55	PCIE0_WAKE_N	54	NC
57	GND	56	NC
59	PCIE0_RX1_P	58	NC
61	PCIE0_RX1_N	60	NC
63	GND	62	NC
65	PCIE0_TX1_P	64	NC
67	PCIE0_TX1_N	66	NC
69	GND	68	NC
71	NC	70	NC
73	NC	72	VDD_3V3
75	GND	74	VDD_3V3