

Component Map



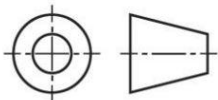
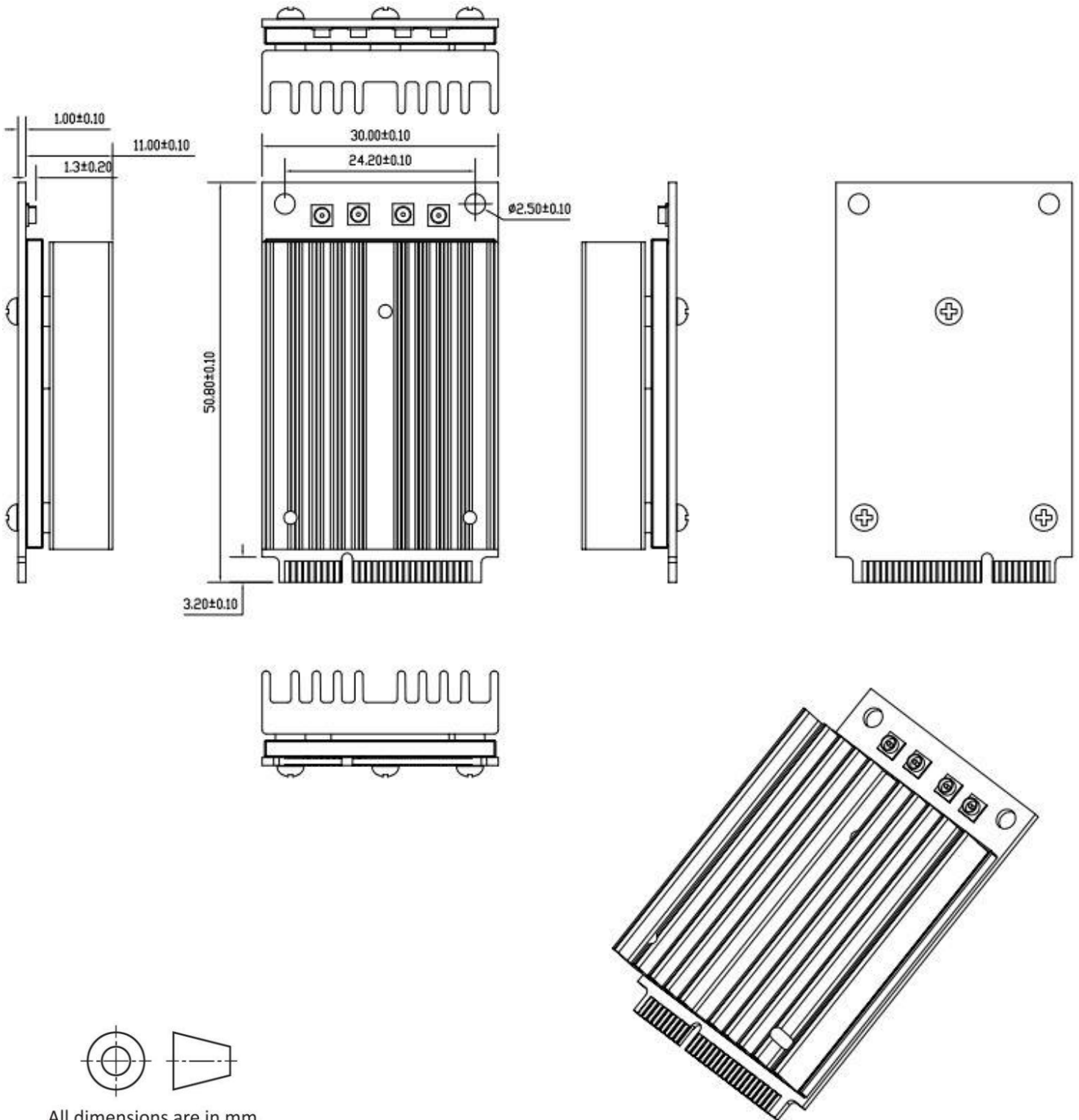
Power Requirements

DC Power	3.3V (Max)
Power Consumption	8W

MiniPCle Slot Pin Assignment

MiniPCle slot pin assignment			
Top side		Bottom side	
1	WAKE_L	2	VDD_3V3
3	WSI_DAT_IN	4	GND
5	WSI_CLK_IN	6	NC
7	CLKREQ_L	8	NC
9	GND	10	NC
11	REFCLK-	12	NC
13	REFCLK+	14	NC
15	GND	16	NC
Mechanical key E			
17	WSI_DAT_OUT	18	GND
19	WSI_CLK_OUT	20	WLAN_DISABLE_N
21	GND	22	RESET_L
23	PERNO	24	VDD_3V3
25	PERPO	26	GND
27	GND	28	NC
29	GND	30	NC
31	PETNO	32	NC
33	PETPO	34	GND
35	GND	36	NC
37	NC	38	NC
39	VDD_3V3	40	GND
41	VDD_3V3	42	NC
43	GND	44	PCIE_LED1
45	NC	46	PCIE_LED0
47	NC	48	NC
49	NC	50	GND
51	NC	52	VDD_3V3

Mechanical Dimensions



All dimensions are in mm.

